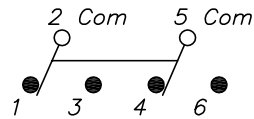
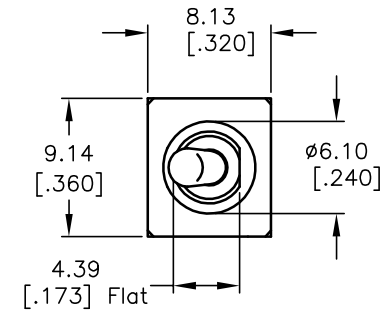


RECOMMENDED P.C.B. LAYOUT

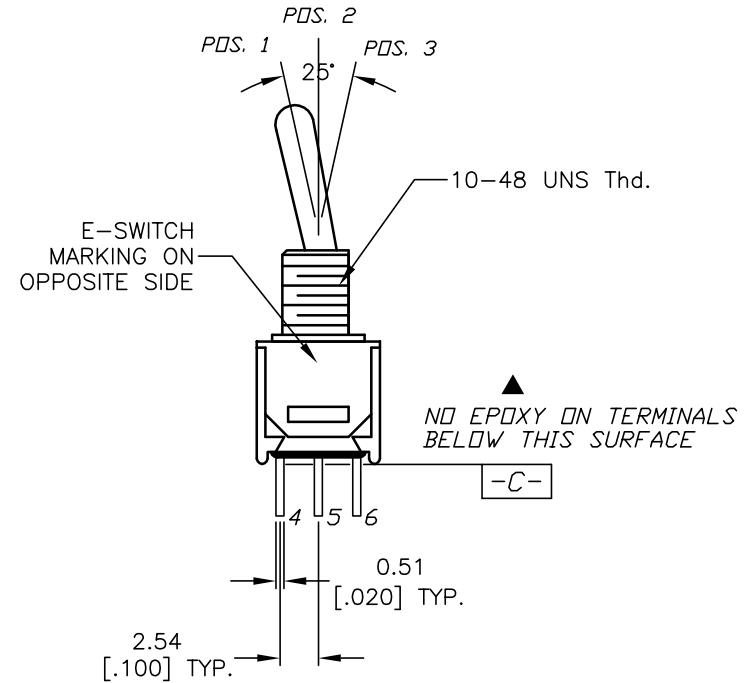
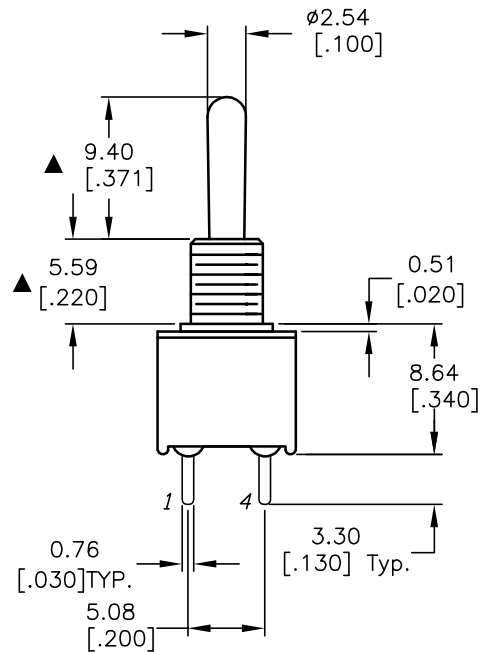


CIRCUIT: DPDT
CONTACT CONFIGURATION

SWITCH FUNCTION		
PDS. 1	PDS. 2	PDS. 3
DN	NONE	DN
2-3,5-6	OPEN	2-1,5-4

NOTES:

1. ALL DIMENSIONS IN MM [INCH]
2. GENERAL TOLERANCE: X.X=±0.4
X.XX=±0.25
3. TERM. NOS. FOR REF. ONLY
4. CONTACT RATING: 3A@125VAC; 1A@20VAC
- ▲ 5. FIXED TERM/MOVING CONTACT: GOLD PLATE OVER SILVER.
GOLD 10 MICRO INCHS
SILVER 400 MICRO INCHS
6. ELECTRIC LIFE: 30,000 MAKE-AND-BREAK CYCLES
AT FULL LOAD.
7. INSULATION RESISTANCE: 1,000 M OHM MIN.
8. DIELECTRIC STRENGTH: 1,000 V RMS @SEA LEVEL.
9. OPERATING TEMP.: -30°C to +85°C
10. ▲ DENOTES CRITICAL PARAMETER.



E-SWITCH®

TITLE		200MDP1T1B1M2CE			
SCALE	DATE	DR	DWG	REV	
2:1	7/29/04	AR	T221046	B	

B	14403	CORRECT RATING NOTES	10/14/04	AR
A	14199	RELEASED FOR PRODUCTION	7/29/04	AR
REV.	ECN No.	DESCRIPTION	DATE	CHKD

THE INFORMATION CONTAINED IN THIS DOCUMENT IS PROPRIETARY TO E-SWITCH AND IS NOT TO BE COPIED OR TRANSFERRED